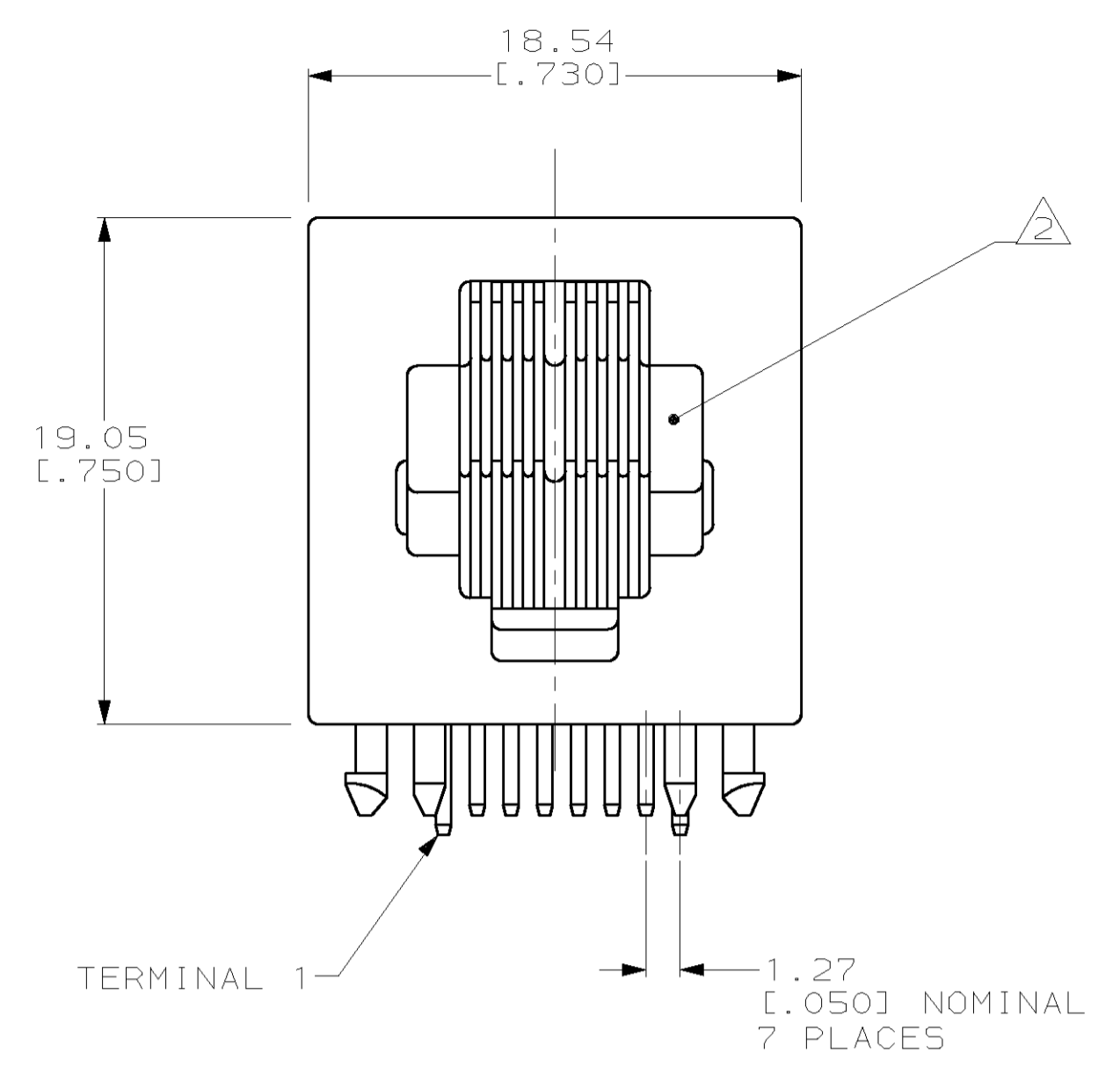
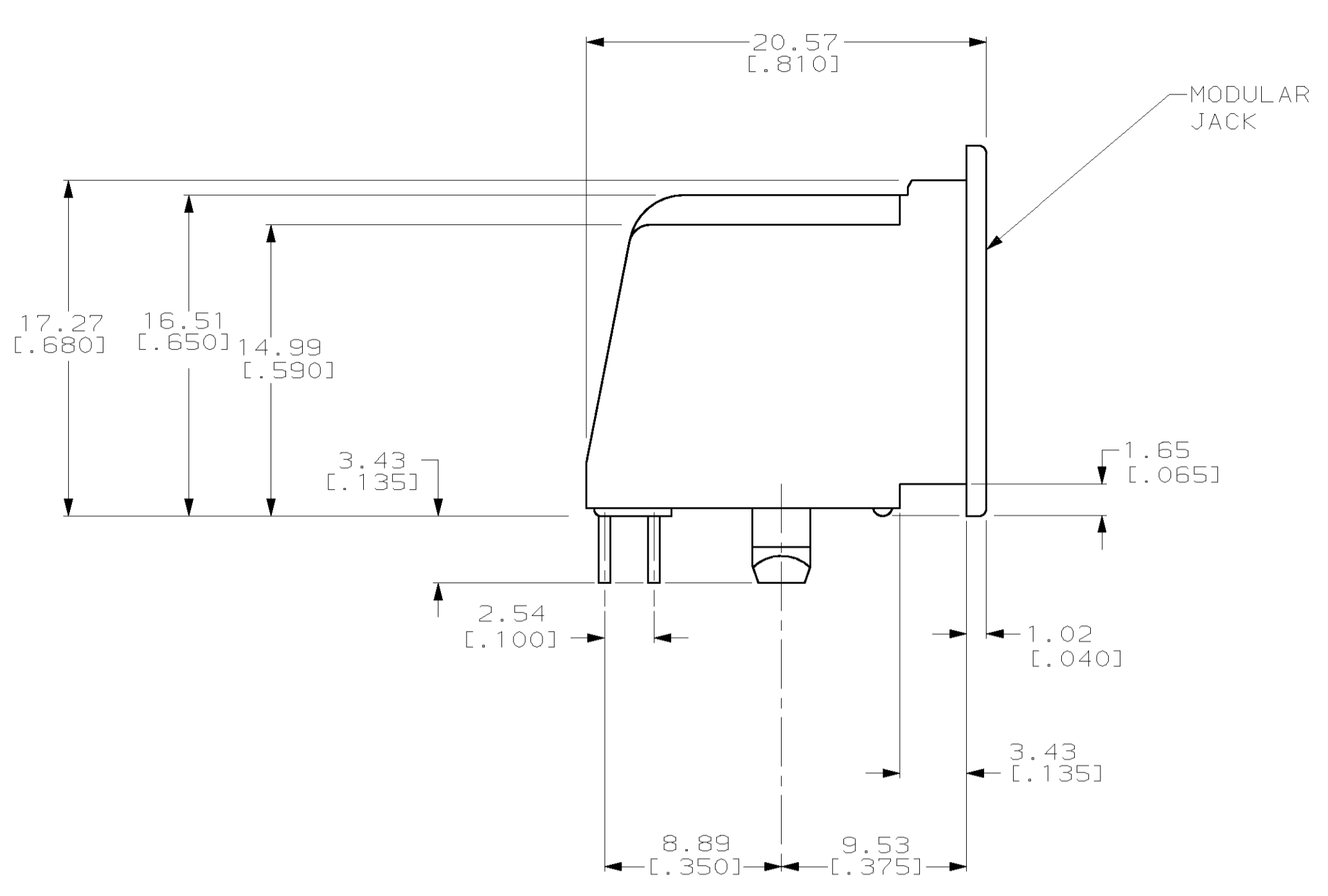
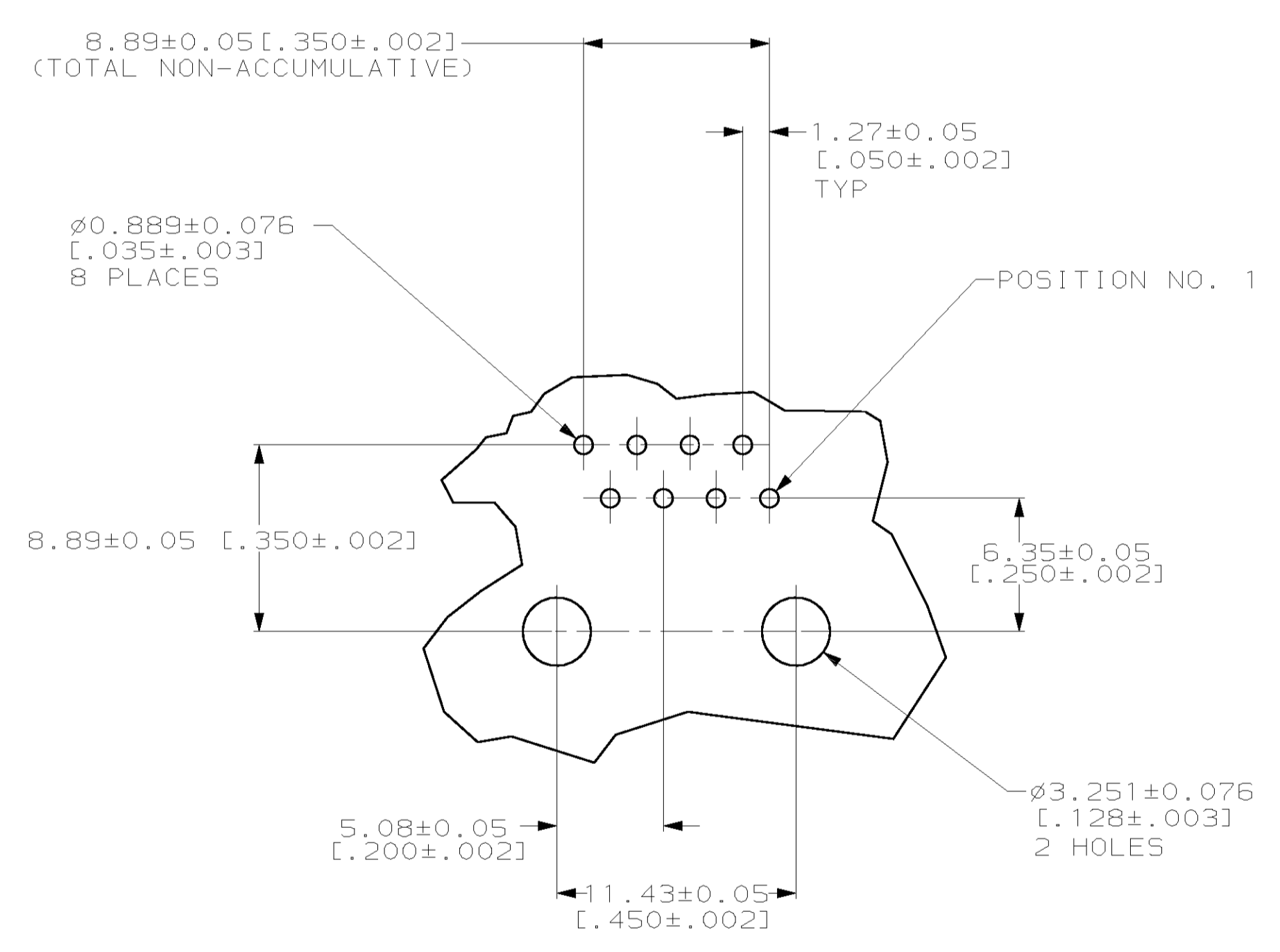
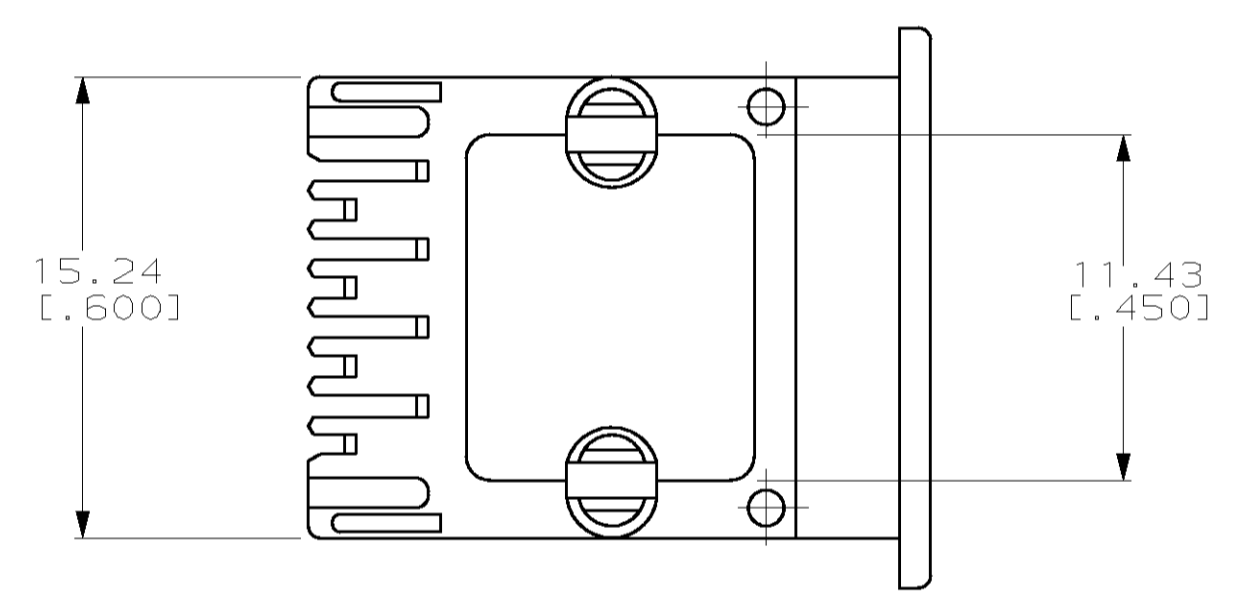


LOC	DIST	REVISIONS			
		REV	DATE	BY	APPV
AA	22	J	03FEB00	DLD	CMB
		DESCRIPTION		DATE	BY
		SUPERSEDED: -3; EC 067A-0046-99		03FEB00	DLD

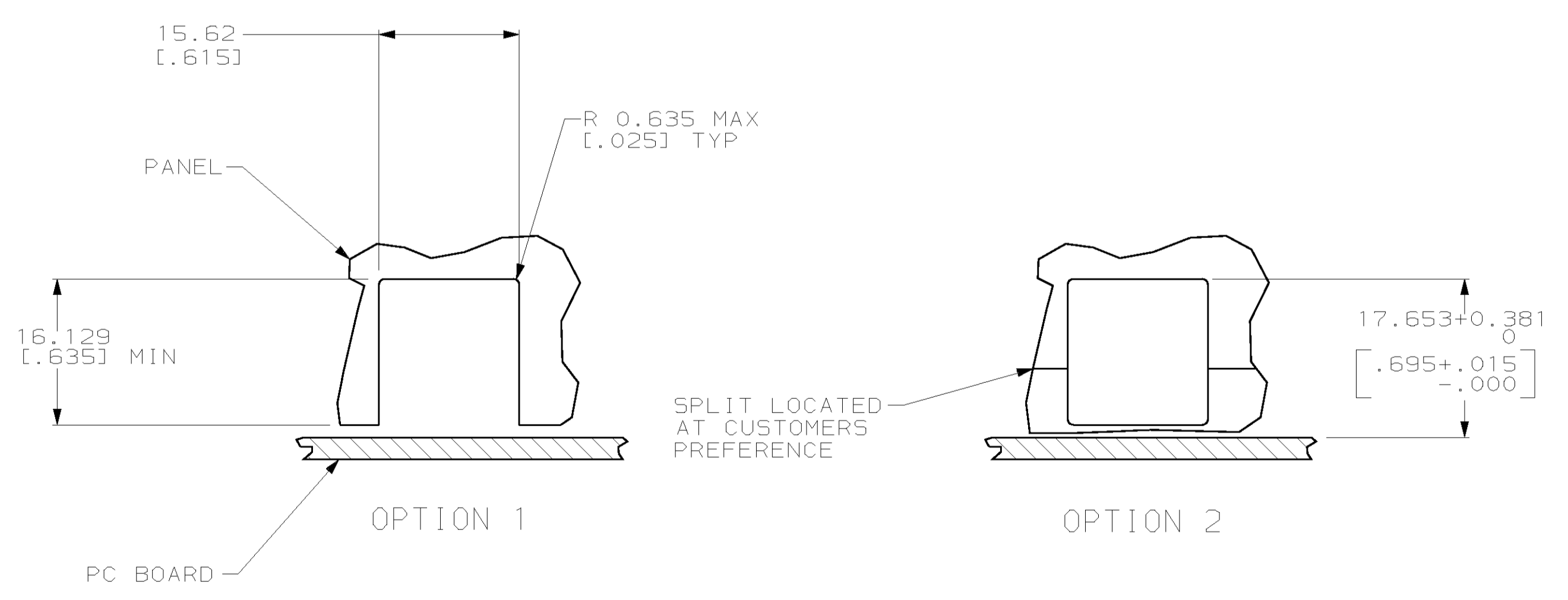


1 MATERIAL: HOUSING - PBT POLYESTER, BLACK. TERMINAL - 0.36 [.014] THICK PHOS BRONZE PLATED WITH 1.27µm [.000050] THICK HARD GOLD IN LOCALIZED GOLD PLATE AREA & 3.81µm [.000150] THICK TIN-LEAD IN SOLDER AREA OVER 1.27µm [.000050] THICK NICKEL UNDERPLATE.

2 CAVITY CONFORMS TO FCC RULES AND REGULATIONS PART 68 AND REA BULLETIN 345-81, PE-76 SPECIFICATIONS FOR MODULAR TELEPHONE HARDWARE.



PRINTED CIRCUIT BOARD LAYOUT
 VIEW SHOWN FROM CIRCUIT SIDE



PANEL CUTOUT
 SCALE 2:1

8	520243-4
6	520243-3
SUPERSEDED BY 520243-4 CONTACTS PART NUMBER	

THIS DRAWING IS A CONTROLLED DOCUMENT.		DWN L. MUSTAR/UTA 30 MAY 95	AMP Incorporated Harrisburg, PA 17105-3608	
DIMENSIONS: mm [INCHES]		CHK N. JONES 02 JUN 95	NAME PRINTED CIRCUIT BOARD	
TOLERANCES UNLESS OTHERWISE SPECIFIED:		APPV E. LAURER 09 JUN 95	MODULAR JACK ASSEMBLY, SIDE ENTRY, 8 POSITION, FLANGED	
0 PLC ±	1 PLC ±	PRODUCT SPEC 108-1163	APPLICATION SPEC 114-2048	
2 PLC ±	3 PLC ±0.13 [.005]	SIZE A1	CAGE CODE 00779	DRAWING NO. 520243
4 PLC ±	ANGLES ±	WEIGHT -	RESTRICTED TO CUSTOMER DRAWING	
MATERIAL		FINISH		SCALE 4:1
				SHEET 1 OF 1
				REV J